

## MANHOLE COVER

D400TC/600\_002

MODEL: ROUND

CLASS | D400

NORM

EN 124-5:2015

(test load 40 ton) Carriageways of roads including pedestrian streets, hard shoulders and parking areas, for all types of road vehicles.

**RESIN:** self-extinguishing orthophthalic

**MATRIX:** glass fiber

**PROCESS ADDITIVES AND REACTION PROMOTERS:**

various additives

**MANUFACTURING PROCESS:**

SMC compression molding with prepregs



### COVER

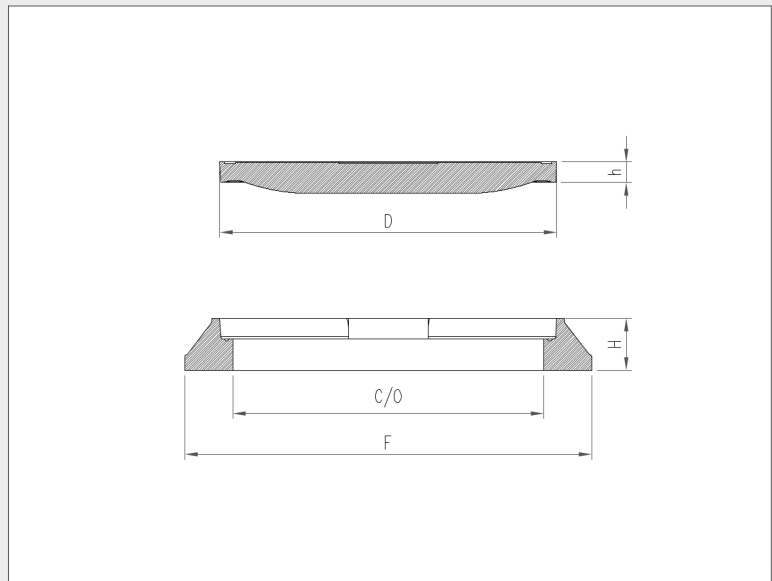
D	mm 650
h	mm 47

### FRAME

F	mm 790
C/O	mm 600
H	mm 100

### WEIGHT

COVER	kg 32,5
FRAME	kg 14,5
TOTAL	kg 47,0



### SURFACE DESIGN

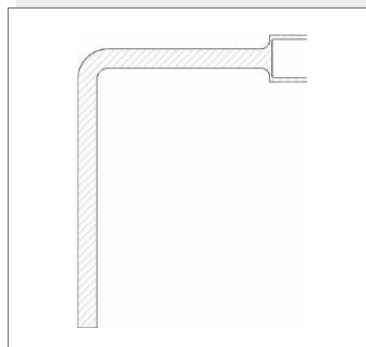
14x14 square with T01 treatment

### COLOUR

black RAL 9011

### LIFTING KEY

type 3



### ACCESSORIES

FIXING:

1 hinge 120°+ lock

SEALING:

yes (EPDM)