

MANHOLE COVER

D400T/900_001

MODEL: PETROL STATION

CLASS | D400

NORM | EN 124-5:2015

(test load 40 ton) Carriageways of roads including pedestrian streets, hard shoulders and parking areas, for all types of road vehicles.

RESIN: self-extinguishing orthophthalic

MATRIX: glass fiber

PROCESS ADDITIVES AND REACTION PROMOTERS:

various additives

MANUFACTURING PROCESS:

SMC compression molding with prepregs



COVER

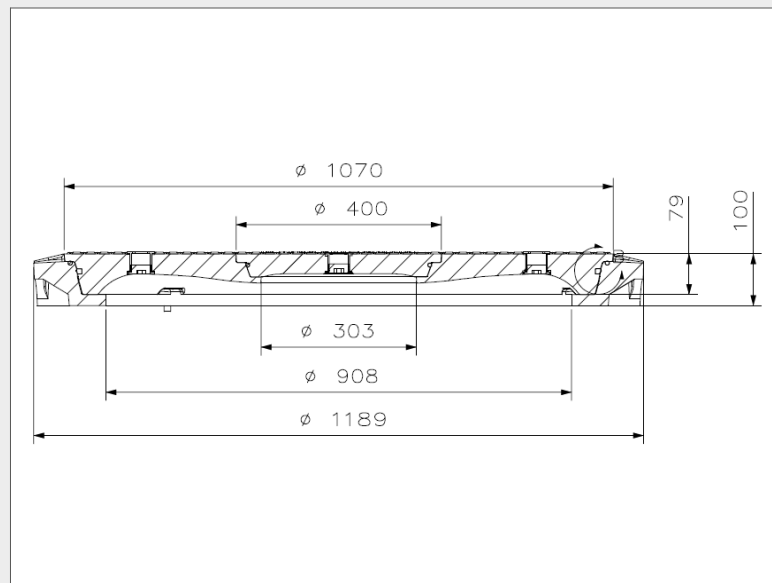
D	mm 1070
h	mm 79

FRAME

F	mm 1189
C/O	mm 908
H	mm 100

WEIGHT

COVER	kg 87,5
FRAME	kg 38,0
TOTAL	kg 125,5



SURFACE DESIGN

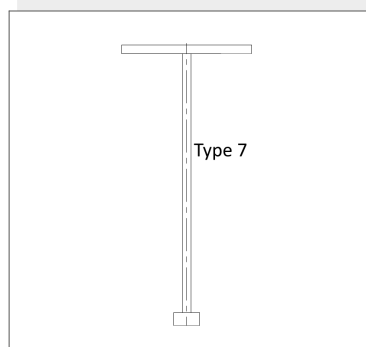
14x14 square with T01 treatment

COLOUR

black RAL 9011

LIFTING KEY

type 7



ACCESSORIES

LIFTING:
metal insert
FIXING:
lock
SEALING:
yes (EPDM)