

## MANHOLE COVER

C250TC/700\_001

MODEL: ROUND

CLASS | C250

NORM | EN 124-5:2015

(test load 25 ton) For gully tops installed in the area of kerbside channels of roads which when measured from the kerb edge, extend a maximum of 0.5m into the carriageway and a maximum of 0.2m into the footway.

**RESIN:** self-extinguishing orthophthalic

**MATRIX:** glass fiber

**PROCESS ADDITIVES AND REACTION PROMOTERS:**

various additives

**MANUFACTURING PROCESS:**

SMC compression molding with prepregs



### COVER

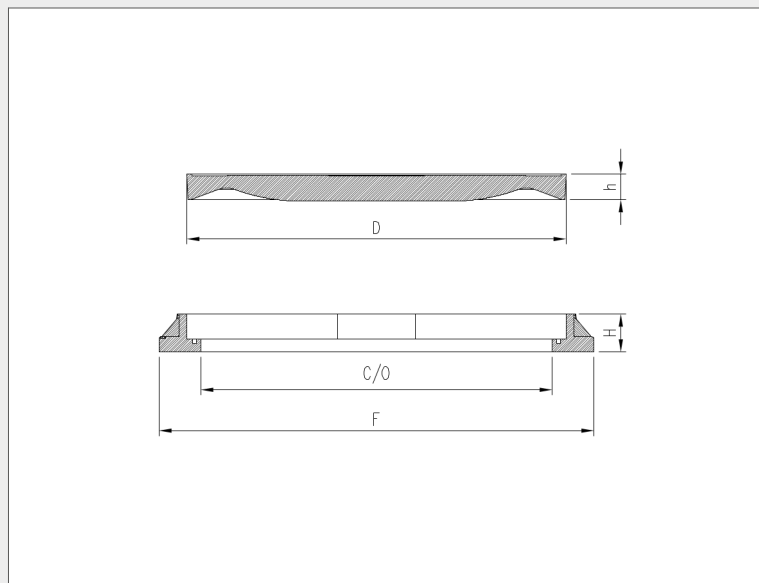
D	mm 750
h	mm 50

### FRAME

F	mm 860
C/O	mm 695
H	mm 75

### WEIGHT

COVER	kg 39,7
FRAME	kg 13,8
TOTAL	kg 53,5



### SURFACE DESIGN

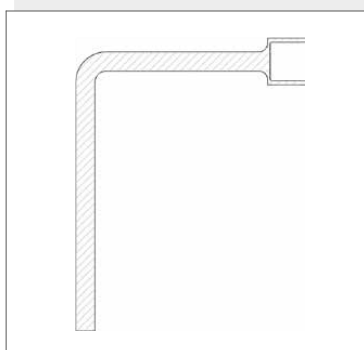
14x14 square with T01 treatment

### COLOUR

black RAL 9011

### LIFTING KEY

type 3



### ACCESSORIES

FIXING:

1 hinge 120°+ lock

SEALING:

yes (EPDM)