

## MANHOLE COVER

B125T/550\_001

MODEL: ROUND

CLASS | B125

NORM | EN 124-5:2015

(test load 12.5 ton) Footways, pedestrian areas and comparable areas, car parking decks.

**RESIN:** self-extinguishing orthophthalic

**MATRIX:** glass fiber

**PROCESS ADDITIVES AND REACTION PROMOTERS:**

various additives

**MANUFACTURING PROCESS:**

SMC compression molding with prepregs



### COVER

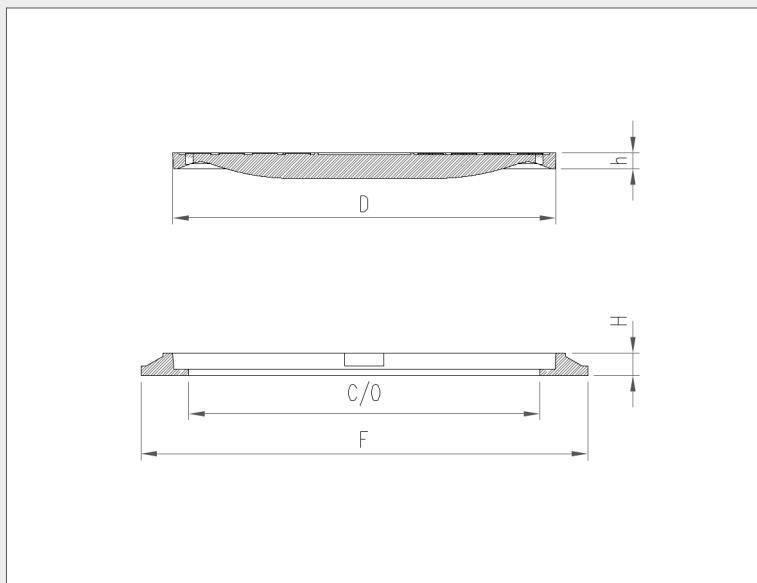
D	mm 600
h	mm 25

### FRAME

F	mm 700
C/O	mm 550
H	mm 35

### WEIGHT

COVER	kg 13,8
FRAME	kg 2,8
TOTAL	kg 16,6



### SURFACE DESIGN

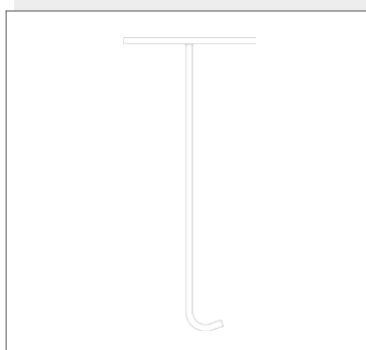
14x14 square with T01 treatment

### COLOUR

black RAL 9011

### LIFTING KEY

type 2



### ACCESSORIES

LIFTING:

2 eye screws 2 washers 2 hexagonal nuts

FIXING:

2 screws TCE