

MANHOLE COVER

B125Q/600_001

MODEL: SQUARE

CLASS | B125

NORM | EN 124-5:2015

(test load 12.5 ton) Footways, pedestrian areas and comparable areas, car parking decks.

RESIN: self-extinguishing orthophthalic

MATRIX: glass fiber

PROCESS ADDITIVES AND REACTION PROMOTERS:

various additives

MANUFACTURING PROCESS:

SMC compression molding with prepregs



COVER

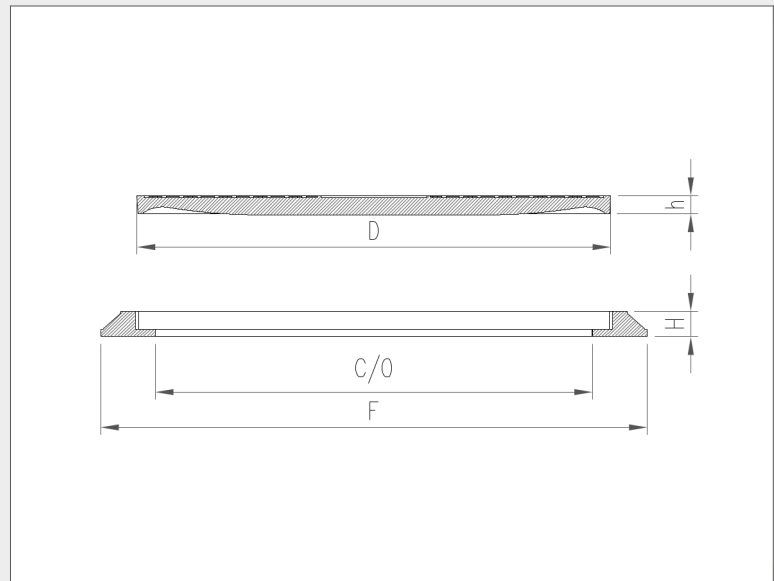
| | |
|---|------------|
| D | mm 655x655 |
| h | mm 26 |

FRAME

| | |
|-----|------------|
| F | mm 750x750 |
| C/O | mm 600x600 |
| H | mm 35 |

WEIGHT

| | |
|-------|---------|
| COVER | kg 20,5 |
| FRAME | kg 4,0 |
| TOTAL | kg 24,5 |



SURFACE DESIGN

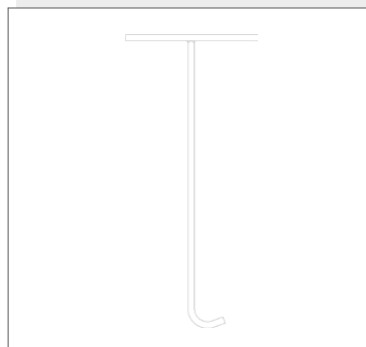
14x14 square with T01 treatment

COLOUR

black RAL 9011

LIFTING KEY

type 2



ACCESSORIES

LIFTING:

2 eye screws 2 washers 2 hexagonal nuts

FIXING:

4 screws TCE